



Description

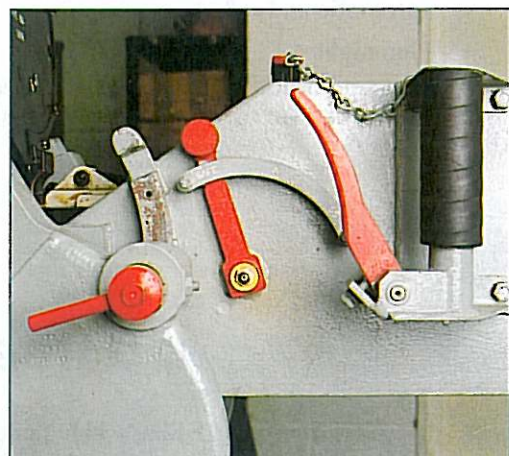
AEI have developed the AE20/NM Naval Gun Mounting as an up-to-date alternative to, and a bolt-on replacement for, the Oerlikon Type A41/A. The mount has been designed in-house, using the latest material technology, to give the maximum reliability demanded by arduous sea borne conditions. The AE20/NM is designed to accept the original and well proven Hispano-Suiza type 804 20mm Cannon, of which we probably have the largest stocks of complete weapons and spares in the world.

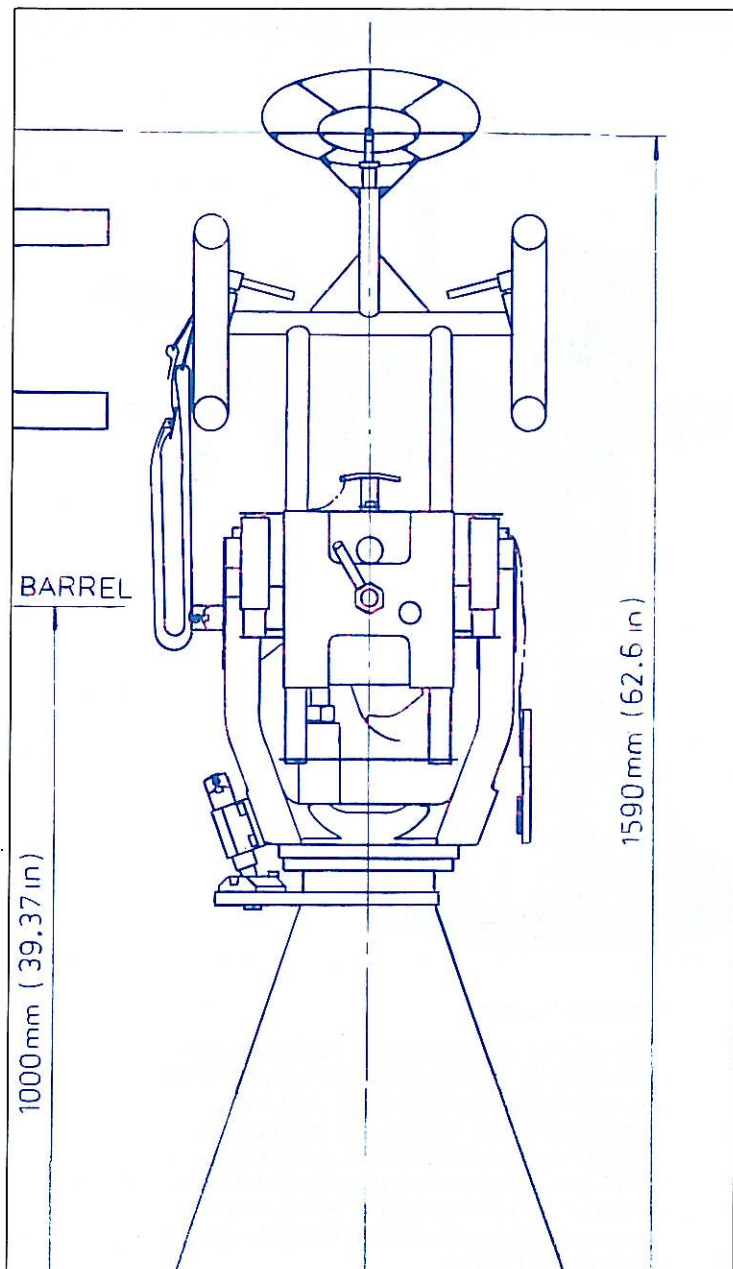
Where the customer demands ruggedness and reliability as the main criteria, rather than expensive and often unnecessary sophistication, the cannon and mount integrate to form an economical and compact solution, without sacrificing build quality. As a multi-purpose weapon, it is highly effective against surface, air and land targets, and is ideally suited as a main armament on fast attack boats and patrol craft or as secondary armament on larger vessels.

Product Support

This rugged combination is backed by fast and efficient worldwide spares support from the substantial stocks held at AEI. A continuous development and production programme ensures product quality on which great emphasis is placed at all stages of design and manufacture. AEI Ltd has been assessed by the British MOD to quality assurance AQAP-1.

AEI offers customers full in country/on ship installation, servicing and personnel training. Customers can also send their AE20/NM (or A41/A) mounts and HS804 Cannon to AEI's Ascot plant in the UK for repair/refurbishment.





The AE20/NM Naval Mount

DATA SPECIFICATIONS

Cannon - Type 804 (HS)

| | |
|---------------------------------|------------------------|
| Calibre: | 20mm. |
| Rate of fire: | 750 to 800rpm. |
| Muzzle velocity: | 835m/sec (2740 ft/sec) |
| Max range: | 5700m/6200yds. |
| Recoil thrust (max): | 4.5KN. |
| Mean recoil force: | 1.6KN. |
| Weight of cannon (without mag): | 42.8Kg/94.4lbs. |
| Feed mechanism: | 60rnd drum magazine. |
| Weight of magazine (empty): | 12.5Kg/27.5lbs |
| Weight of magazine (full): | 28.1Kg/61.8lbs. |

Mount AE20/NM

| | |
|-------------------------|--|
| Traverse arc: | 360° with optional adjustable safety zone stops. |
| Elevation arc: | -10° to +50° |
| Swept radius: | 1.68m/66ins. at 0° elevation |
| Height: | 1m/39.5ins centre line from mounting base |
| Weight (mounting only): | 157Kg/345lbs. |

Ammunition

| | |
|-----|------|
| HE | APT |
| AP | HEI |
| TP | HET |
| TPT | HEIT |

Control

Training and Elevation

Manual by means of shoulder stocks and harness fitted to gun cradle.

Firing mechanism

Mechanical with selector for single shot, automatic and safe.

Gun sight

Ring and bead. Will also accept a selection of night vision sights and thermal imaging systems.



Aircraft Equipment International Ltd

1 King's Ride Park, Ascot, Berkshire SL5 8AR, England
Telephone: Ascot (01344) 636200 Fax: (01344) 636205

848412 Airqip G