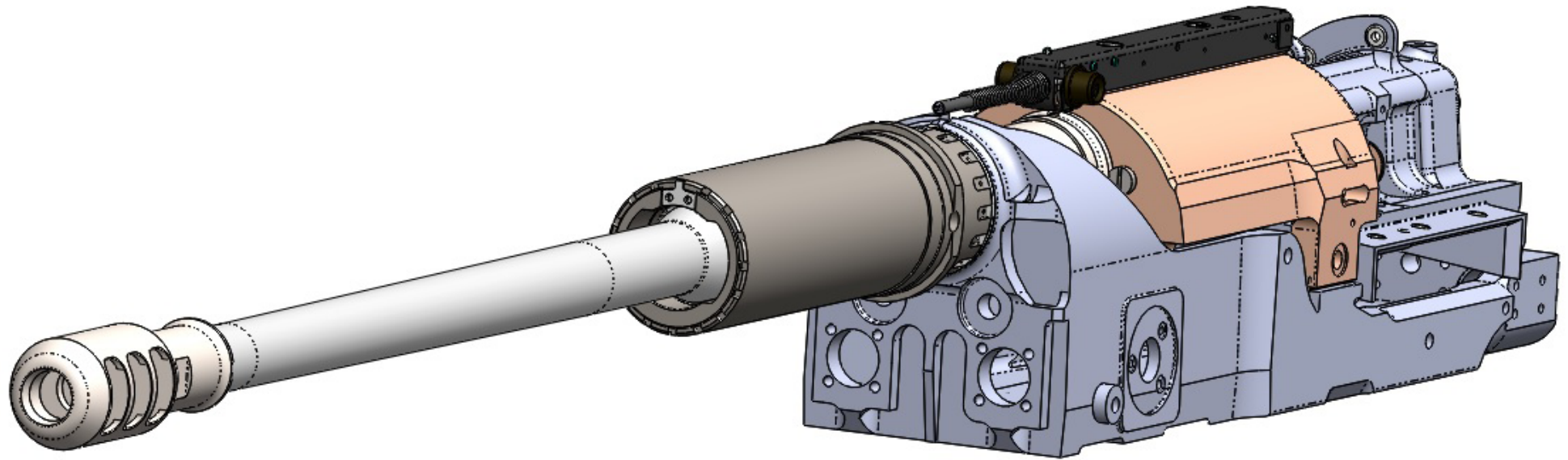
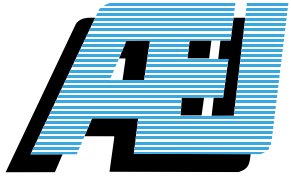


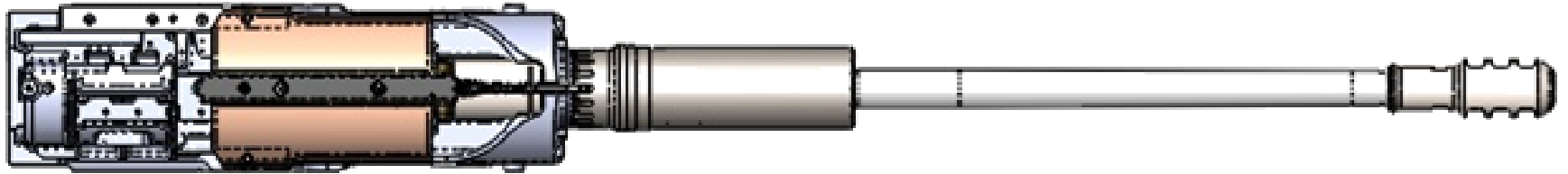
VENOM 30 mm Gun



Focused Technology - Skilled Engineering



VENOM 30 mm Gun

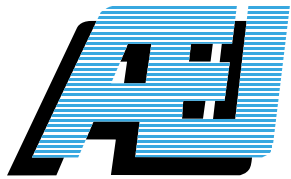


SPECIFICATIONS

- Calibre: 30 mm x 113 mm
- Range: 2000 m - Effective
- Rate of fire: Operator selectable
 - Single Shot
 - 200 - 240 spm
 - 1,200 -1,400 spm
- Gun mass: 100 kg (220 lb)
- Barrel length: 1,4 m
- Overall Length: 2.04 m
- Height: 240 mm
- Width: 235 mm
- Barrel weight: 15.5 kg
- Muzzle velocity: 780 - 800 m/s
- Recoil load: 31.6 kN max
- Cocking System: Mechanical & Electrical
- Firing System: Electrical: 28 V DC

AMMUNITION 30 mm x 113 mm

- HEI High explosive incendiary
- HEIT High explosive incendiary tracer
- AP Armour piercing
- TP Target practice
- TPT Target practice tracer
- APT Armour piercing tracer
- HEDP High explosive dual purpose



VENOM 30 mm Gun

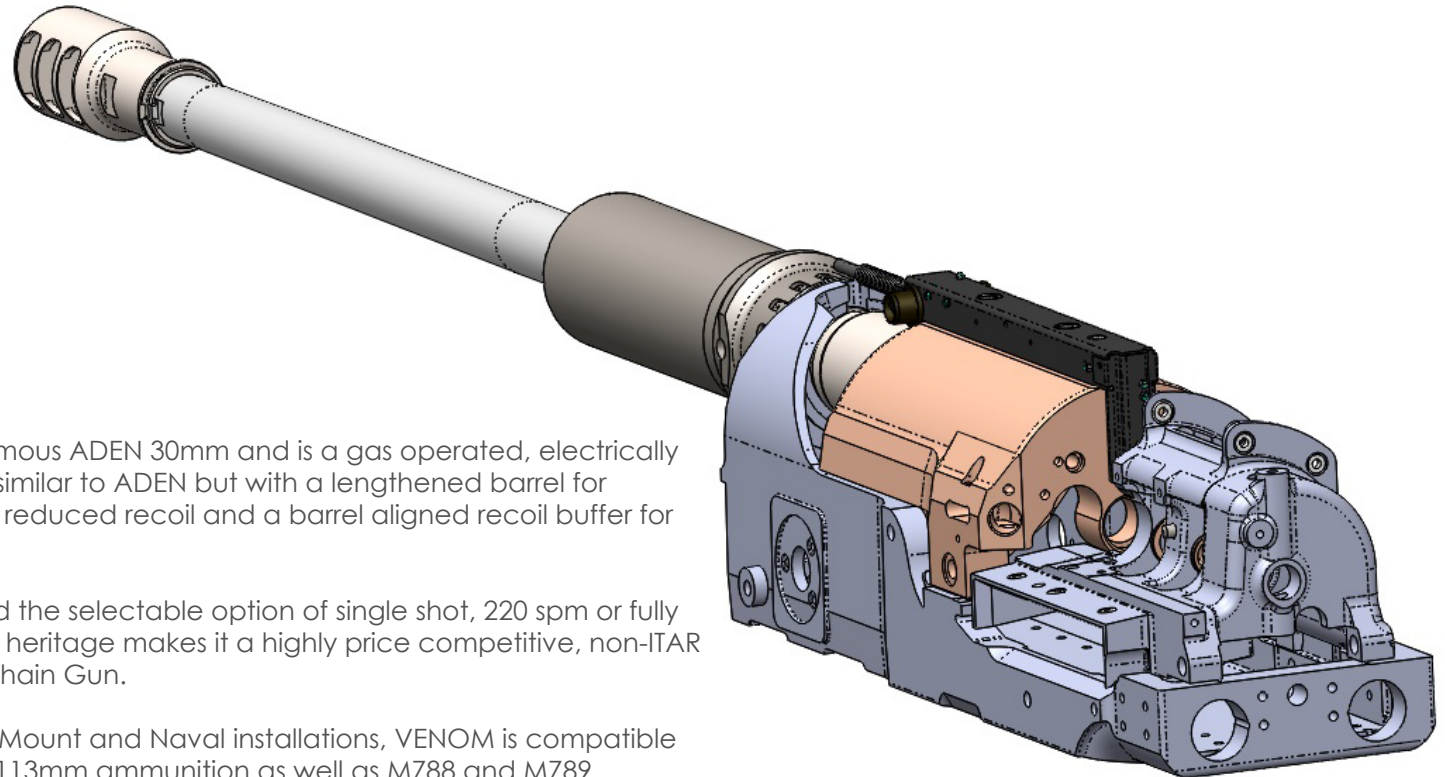
DESCRIPTION

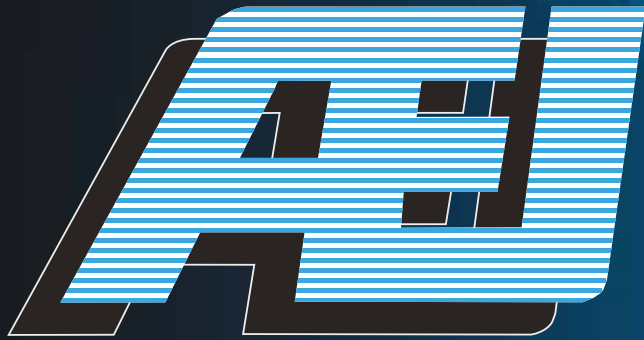
VENOM is a derivative of the world famous ADEN 30mm and is a gas operated, electrically primed revolver gun. Configuration is similar to ADEN but with a lengthened barrel for optimised velocity, a muzzle brake for reduced recoil and a barrel aligned recoil buffer for improved accuracy.

With an effective range to 2000 m and the selectable option of single shot, 220 spm or fully automatic 1,300 spm, VENOM's ADEN heritage makes it a highly price competitive, non-ITAR restricted alternative to the M230 LF Chain Gun.

Designed for Turret, Remote Weapon Mount and Naval installations, VENOM is compatible with NATO standard ADEN/DEFA 30 x 113mm ammunition as well as M788 and M789 variants.

VENOM is another AEI Systems in-house design and is manufactured to aircraft standard quality entirely in the UK.





AEI Systems Ltd

1 Kings Ride Park,
Ascot,
Berkshire.
SL5 8AP
United Kingdom



Tel: +44 (0) 1344 636200 | Fax: +44 (0) 1344 636205 | Email: sales@aei-systems.com | Web: www.aei-systems.com